



15 AMP SILICON BRIDGE RECTIFIERS

FEATURES

- **VOID FREE VACUUM DIE SOLDERING FOR MAXIMUM MECHANICAL STRENGTH AND HEAT DISSIPATION**
 (Solder Voids: Typical < 2%, Max. < 10% of Die Area)
- **BUILT-IN STRESS RELIEF MECHANISM FOR SUPERIOR RELIABILITY AND PERFORMANCE**
- **SURGE OVERLOAD RATING TO 300 AMPS PEAK**
- **IDEAL FOR PRINTED CIRCUIT BOARD APPLICATIONS**

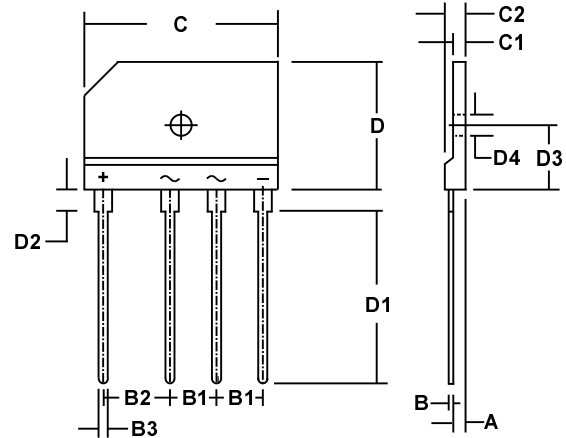
UL RECOGNIZED - FILE #E124962

RoHS COMPLIANT

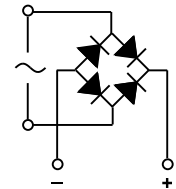
MECHANICAL DATA

- Case: Molded Epoxy (UL Flammability Rating 94V-0)
- Terminals: Silver plated pins
- Soldering: Per MIL-STD 750
- Polarity: Marked on case
- Mounting Position: Any
 Mounting torque = 5 in lb max.
- Weight: 0.26 Ounces (7 Grams)

MECHANICAL SPECIFICATION



SYM	MILLIMETERS		INCHES	
	MIN	MAX	MIN	MAX
A	2.5	2.9	0.098	0.114
B	0.6	0.8	0.024	0.031
B1	7.3	7.7	0.287	0.303
B2	9.8	10.2	0.386	0.402
B3	0.9	1.1	0.035	0.043
C	29.7	30.3	1.17	1.19
C1	3.6	4.0	0.142	0.157
C2	4.4	4.8	0.173	0.189
D	19.7	20.3	0.776	0.799
D1	13.2	13.8	0.520	0.543
D2	3.8	4.2	0.126	0.165
D3	10.8	11.2	0.425	0.441
D4	3.1	3.3	0.122	0.130



SERIES DT15C00 - DT15C10

MAXIMUM RATINGS & ELECTRICAL CHARACTERISTICS

Ratings at 25 °C ambient temperature unless otherwise specified.

PARAMETER (TEST CONDITIONS)	SYMBOL	RATINGS								UNITS
		DT15 C00	DT15 C01	DT15 C02	DT15 C04	DT15 C06	DT15 C08	DT15 C10		
Series Number										
Maximum DC Blocking Voltage	V _{DC}	50	100	200	400	600	800	1000		VOLTS
Maximum RMS Voltage	V _{RMS}	35	70	140	280	420	560	700		
Maximum Peak Recurrent Reverse Voltage	V _{RRM}	50	100	200	400	600	800	1000		
Average Forward Rectified Current, T _c = 55° C	I _O	15								AMPS
Peak Forward Surge Current. Single 60Hz Half-Sine Wave Superimposed on Rated Load (JEDEC Method).	I _{FSM}	300								
Rating For Fusing (t<8.3ms)	I ² t	375								
Maximum Forward Voltage Drop (Per Diode) @ I _F = 7.5 Amps @ I _F = 15.0 Amps	V _{FM}	< 0.95 < 1.0				< 1.0 < 1.05				VOLTS
Maximum Average DC Reverse Current @ T _A = 25° C At Rated DC Blocking Voltage @ T _A = 100° C	I _{RM}	1 50								μA
Typical Thermal Resistance, Junction to Case (Note 1)	R _{θJC}	1.4								°C/W
Minimum Insulation Breakdown Voltage (Circuit to Case)	V _{ISO}	2000								VOLTS
Operating and Storage Temperature Range	T _J , T _{STG}	-55 to +150								°C

NOTES: (1) Units Mounted on Heat Sink

9.04 590C